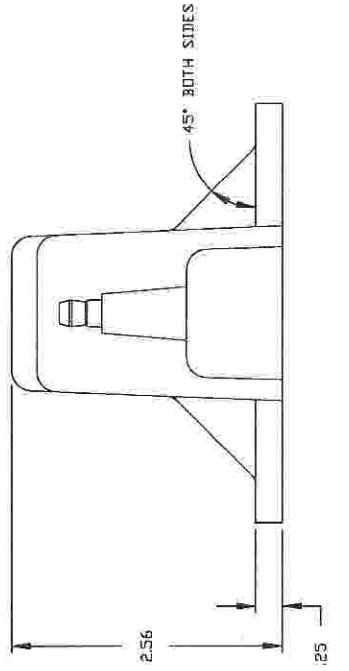
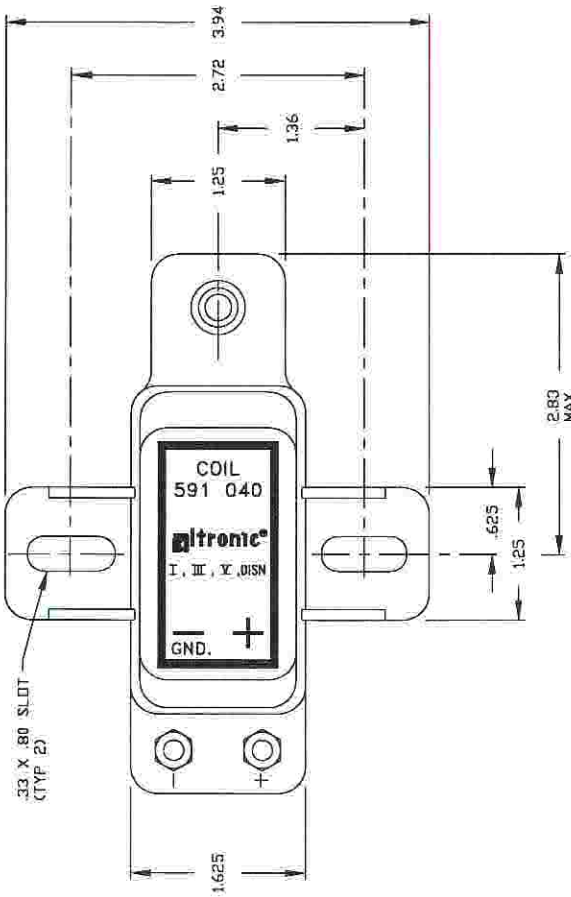
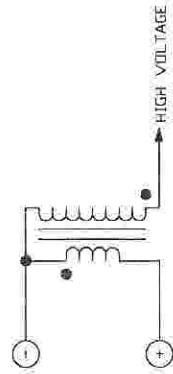


RESISTANCE	APPLICATION
PRIMARY	ALTRONIC V
SECONDARY	CD1/CDE
.02-.03Ω	
6,000-11,000Ω	

RESISTANCE	APPLICATION
PRIMARY	ALTRONIC V
SECONDARY	CD1/CDE
.02-.03Ω	
6,000-11,000Ω	



10-32 THRD STUD WITH BRASS NUT AND BRASS LOCK-WASHER (TYP 2)



COIL CIRCUIT DIAGRAM

REVISIONS

NO.	DATE	BY	DESCRIPTION
1	6-6-94	W/T/P	ECN 940089
2	12-16-97	W/T/P	ECN 97014B
3			
4			
5			

TOLERANCES EXCEPT AS NOTED	
DECIMAL	±.030
FRACTIONAL	
MATERIAL	

ALTRONIC INC.	
TITLE	IGNITION COIL SALES DRAWING
DRAWN BY	W/T/P
CHECKED BY	
APPROVED BY	
SCALE	.888
DATE	5-17-94
DRAWING NUMBER	591 040